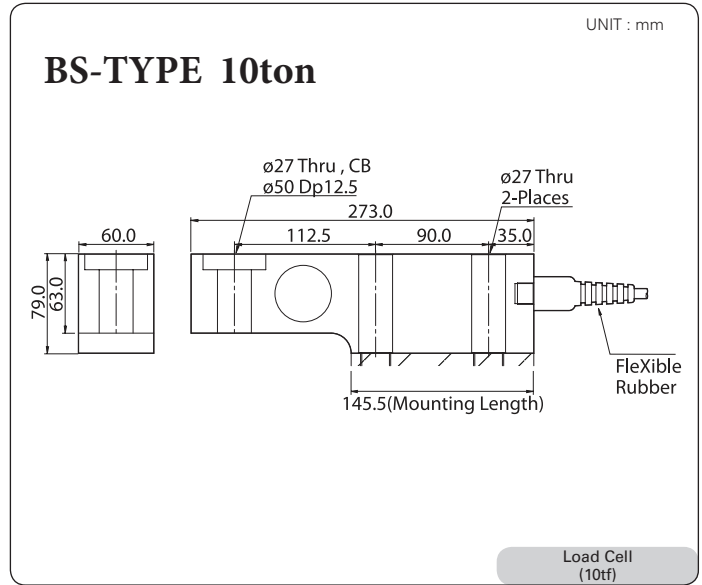
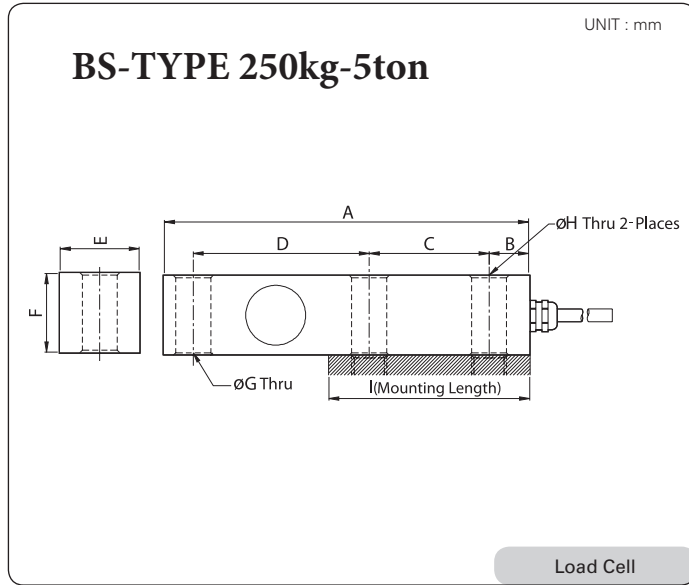


BS

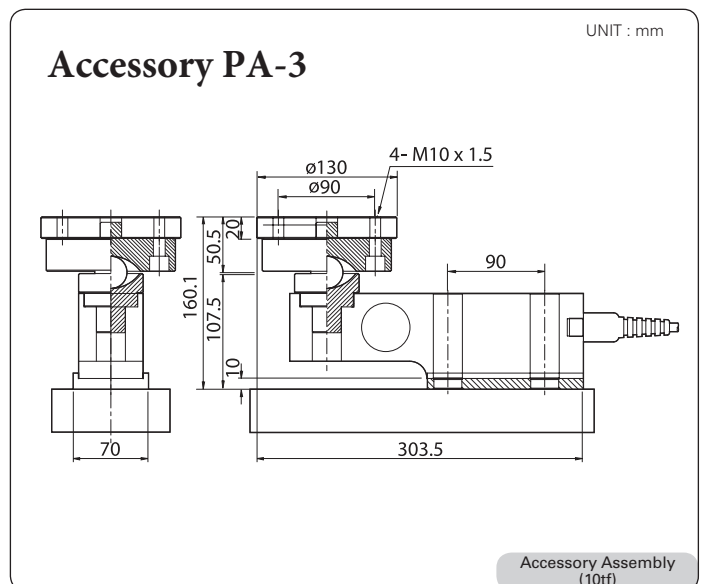
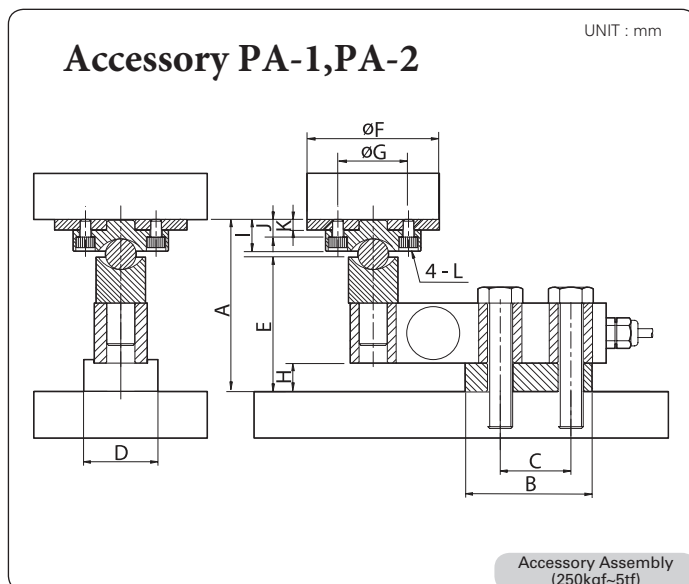
Shear Beam Load Cell



● DIMENSION



Capa.	A	B	C	D	E	F	G	H	I
250kgf	145.0	20.0	40.0	72.0	34.0	30.0	16.0	14.5	80.0
500kgf									
1tf									
2tf									
5tf	205.0	25.0	55.0	105.0	48.0	38.0	20.5	20.5	105.0



Capa.	MODEL	A	B	C	D	E	F	G	H	I	J	K	L
250kgf	PA-1	97.4	72.0	40.0	42.0	76.0	75.0	40.0	16.0	18.0	10.0	6.0	M6 X 1.0
500kgf													
1tf													
2tf													
5tf	PA-2	134.0	100.0	55.0	48.0	84.0	100.0	50.0	16.0	40.0	25.0	15.0	M10 X 1.5

SINGLE POINT
 BENDING & SHEAR
 S-BEAM
 CANISTER
 PANCAKE & MINITURE
 TRUCK & TANK WEIGHING
 SPECIAL APPLICATION